

SAN-CHUTES™

A PRODUCT FROM Sanlay India



SOLID WASTE COLLECTION SYSTEM
ISO 9001:2015



Centralized Waste Collection System

Urban civilization & fast growing cities are forcing to construct Hi- rise residential and commercial buildings, complexes. In Large Building, It is not practical for residents or housekeeping staff to move large quantities of garbage from floor to floor on elevators and stairways. Garbage Chute Provide an easy method of garbage collection in multi-storied buildings.

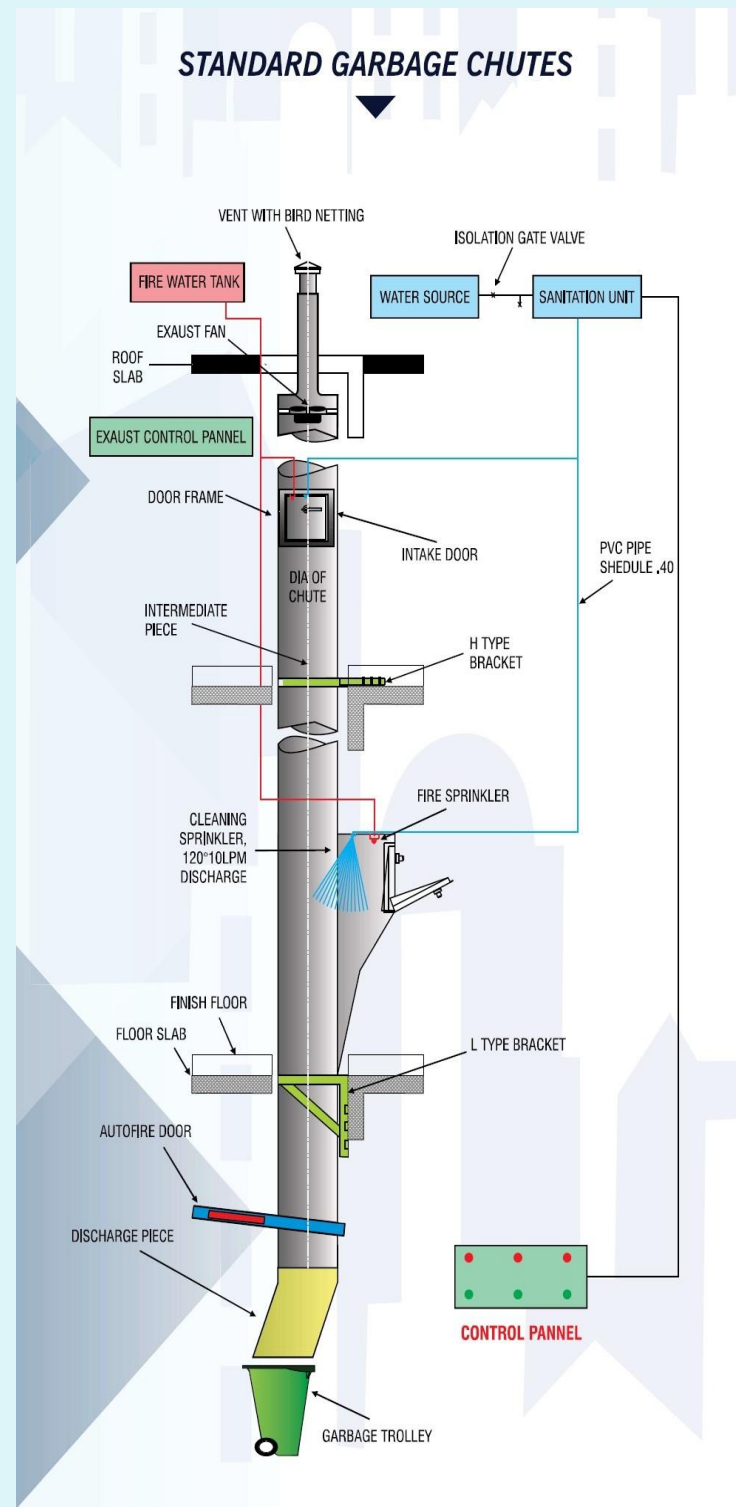
The garbage collection from every floor & its disposal has become a tedious job. Garbage chutes are the means to overcome the above problem with ease & utmost hygiene.

Benefits of WELL-CHUTES™

- Handles total building garbage collection at one single point.
- Garbage disposal with ease & hygiene.
- Reduces Power consumption used in Service Lifts.
- Dry & Wet garbage separate collection System as per new government rule.
- Garbage can be disposed at any point of time.
- Reduces manpower.

Industries Served

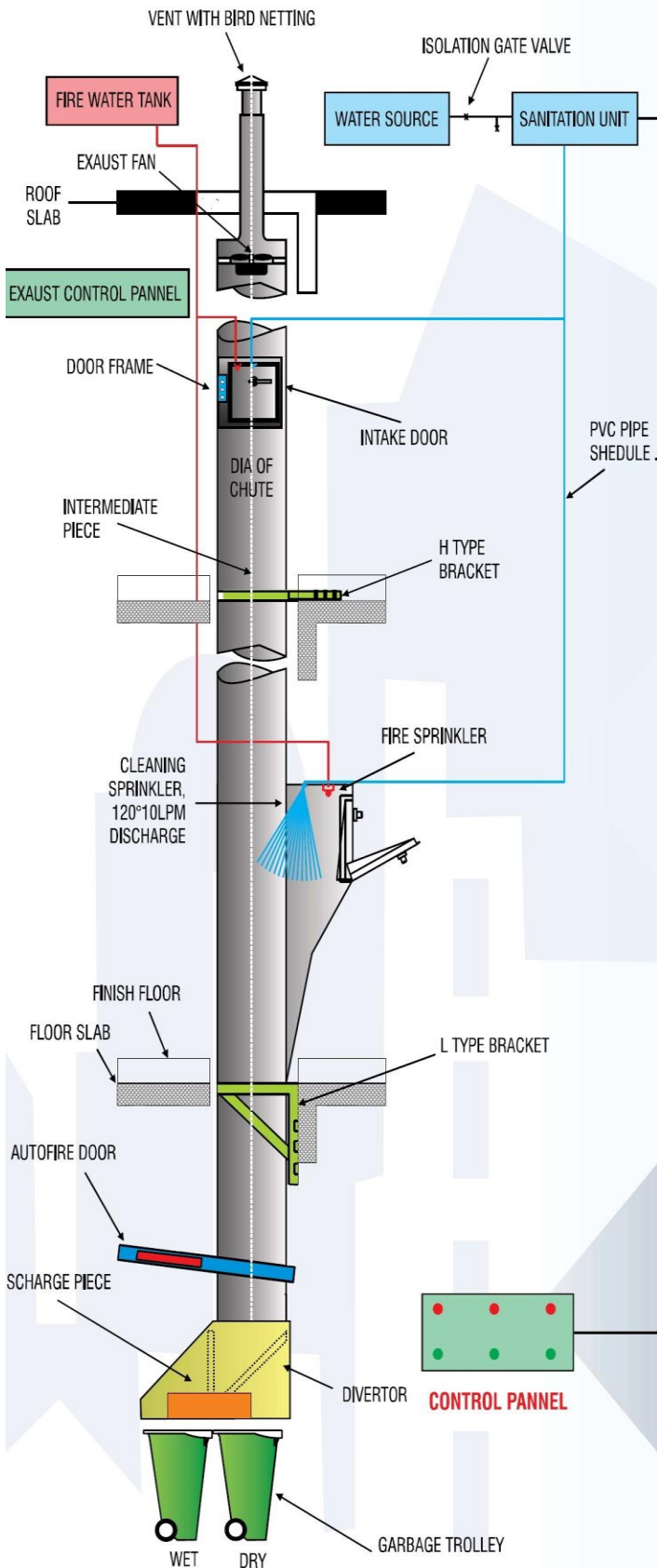
- High Rise Buildings
- Hotels
- Construction Sites
- Hospitals
- Schools
- Colleges
- Government Buildings
- Corporate Offices.



SEGRAGATED GARBAGE CHUTES

Garbage chutes can be installed in

- Residential, commercial buildings and malls.
- In any duct, common lobbies, landings, staircase mid-landings, utility ducts, dry balconies and kitchens.
- If on floor level, Intake Hoppers shall be at every floor level.
- If at mid-landing, Intake Hopper shall be at alternate floor level.



Salient features of Horizon Chutes

- Manufactured & Installed as per BS 1703:2005, NFPA 82. NBC 2005 & IS 6924:2001.
- Weather proof Stainless Steel construction.
- Sanitation system for internal cleaning of chutes.
- Cleaning operation by control panel in garbage room.
- Disinfectants can be sprayed.
- Exhaust system to give minimum 20-40 air changes/hr.
- Intake Hoppers are 90 minute fire rated UL Labeled 10B.
- Auto closing Intake Hoppers.
- Discharge end fire door.
- Available in different sizes.

Operational Sequence

- Press any button "Dry" or "Wet".
- Busy indicator and hoppers remain locked for all other floors.
- Chute converts to respective mode "Dry" or "Wet" by rotating flap door in the garbage room.
- Operated hopper unlocked with indication of selected garbage. Bi-sorter, Tri-sorter, Quadra- sorter.
- Open hopper manually & drop respective garbage bag.
- This bag falls in to appropriate trolley.
- Auto closing hopper resets the system for next use.
- Total change over time of 10seconds.



Components of Chutes:-

- Intake Door
- Shaft
- Sanitation System
- Auto Closing Fire Door
- Fire Sprinkler
- Air Vent
- Segregated Garbage Chute System
- Dustbins
- Odor Control System

Intake Doors

The door are Top opening, bottom pivoted, Auto closing hopper for garbage chute. They are Fire rated, 90 minute UL Labeled 10B. Max. temp. rise of 1210C in 30 min, Underwriters Laboratory (UL)USA. We also provide 2 hours fire rated chute hoppers. As controller for interlocking or sorters is part of chute intake hopper, controller has to be UL listed & we have separate certification for UL listed controllers. They are fixed with chute in face with front wall.

Shaft

Shaft of Garbage Chute is manufactured in stainless steel (SS430). The standard diameter of shaft is 450 mm and can vary up to 600 mm depending upon the use of the shaft.

Sanitation System

It cleans the chute from inside, to maintain hygiene. It is installed at roof level & operated by Control Panel in the garbage room. We provide 120° solid-cone profile discharge sprinklers provided at every intake level. Different sprinklers at every level keeping discharge constant irrespective of changing inlet pressure as per building height. It takes 2 minutes of cleaning cycle every day. Water and disinfectants are sprayed during the cleaning cycle using PVC pipes.

Auto Closing Fire Door

It is installed at bottom of chute in garbage room. In case of fire in garbage room as the temperature cross 79 degree Fusible link melts closing the fire door. Fire door blocks the path of fire preventing heat transfer

Fire Sprinkler

It is installed at top and bottom floors and every alternate floors. In case of fire as temperature rise beyond 79 degrees celcius fire sprinkler opens and releases water.

Air Vent

It Removes foul smell and gases generated and exhaust above roof level. It is installed at roof level, operated by control panel. It is designed to give min. 20/40 air changes/hr. It is installed by reduceing diameter vent or full diameter vent. Exhaust is min 1. 2 meter above roof level.

Segregated Garbage Chute System

As per latest environment and Goverenment of India's Initiative, it helps in disposal of DRY and WET garbage sepratly. Gegregated Garbage Chute System allows collection of DRY and WET sepratly using single chute. It also save cost of installing multiple chutes.

Dustbins

It is available in plastics / galvanised steel. The capacity selected as per building requirement. The available standard capacity :- 240 / 360 / 660 / 770 / 1100 liters. We also provide customised fabricated trolleys

Odour Control System

Odour Control Unit is designed for installation in Garbage / Trash Rooms for controlling or reducing the odour generated. This odour is a result of decomposition of garbage in the bins at ambient temperatures. Odour can be controlled in different ways. By using this unit, odorous gases are masked & neutralised by the herbal liquid. To achieve this, the herbal extract liquid is dispersed in the air in very small particle, sizes ranging from 1-10 microns. These particles get attached to the molecules of odorous gases. As a result, the weight of these molecules increases, they settle down & then bio-degrade.



Installation of Garbage Chute

Minimum Duct Size for Chute Installation

Chute Diameter	Duct / Slab Opening
18" (450 mm)	24" x 24"
24" (600 mm)	30" x 30"
30" (750 mm)	36" x 36"

1. Front wall shall be constructed after the erection of chute.
2. Provide 600x600 mm access door. Location 200 mm above top most intake door for exhaust fan maintenance.
3. Provide 6 Amp. MCB, earth, neutral, single phase power point for exhaust control panel near top most intake level.
4. Provide predefined water connection with isolation valve. See chart below.

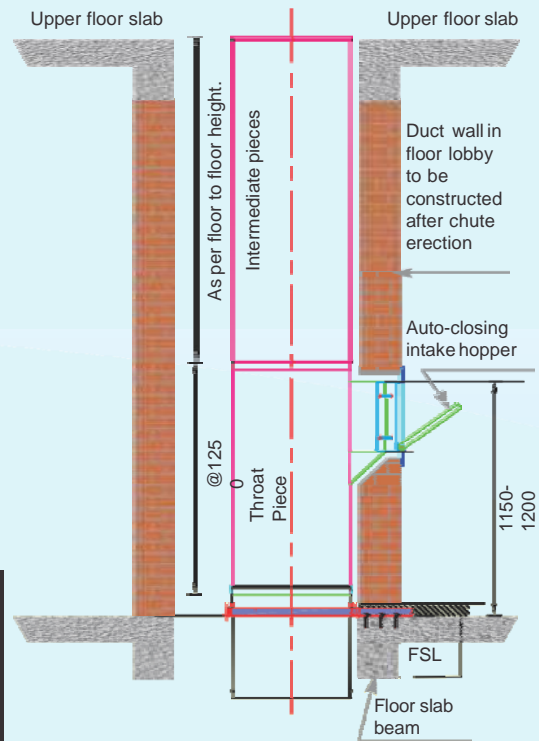
Nos. of Intake hoppers	Size of water connection
0-7	1" NB
0-15	1.5" NB
0-25	2" NB
0-40	2."-2 Nos.*
0-50	2."-2 Nos.*

5. ½" Bib cock at roof level for sanitation unit.
6. If water connection is provided from hydro-pneumatic system, provide pressure reducing valve.
7. Provide wet riser from fire protection system for total building height inside chute duct.
8. Connect fire sprinklers provided by us at top most intake, lower most intake & in between alternate floors starting from top.

Garbage Room

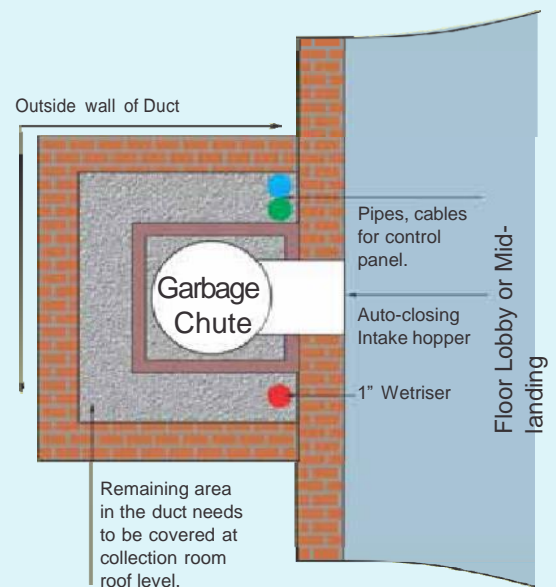
1. Shall be air tight non ventilated room.
2. No louvers/ windows in the room.
3. Provide wall tiles (min. 1.8 mtr. high) & floor tiles.
4. Floor to have slope towards gully trap connected to drainage/basement sump.
5. Provide 6 Amp. MCB, earth, neutral for cleaning control panel in garbage room.
6. Lighting arrangement.
7. Provide clear min. 1.8 mtr. wide, outside opening fire door to garbage room. Do not use rolling

Elevation of Garbage Chute Duct



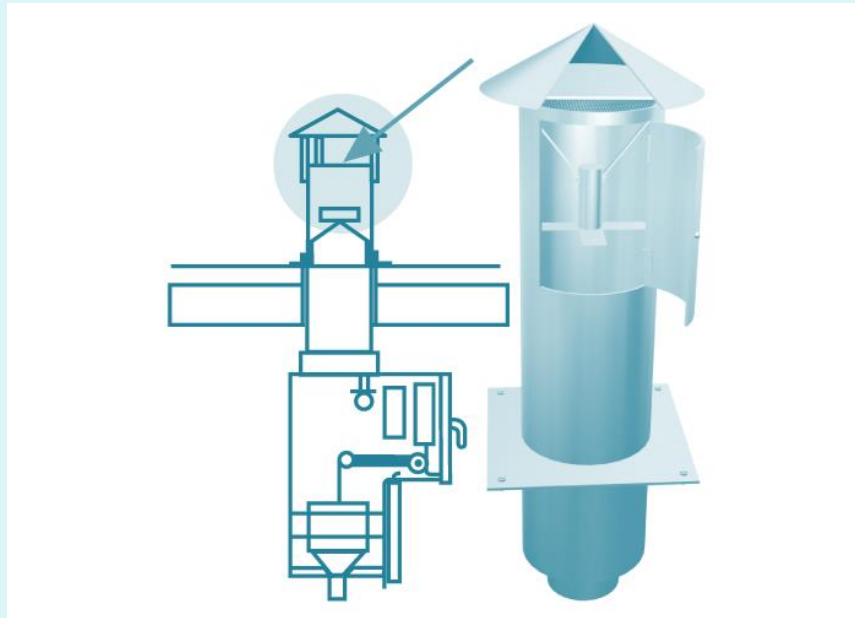
Plan of Garbage Chute Duct

Duct for garbage chute - for sizes see table



Garbage Room Size in Mtr. (Minimum)

Standard chute 2.5W x 2.5L x 2.4H
Segregated chute 3.0W x 3.0L x 2.4H



SANLAY

Sanlay India Pvt Ltd

ISO 9001:2005 Certified

Regs. Office – 1202, T-15, Sector-102, Gurgaon-122006, Haryana

Phone – +91-6205546239

info@sanlayindia.com ;

sanlayindia@gmail.com

www.sanlayindia.com